

GLP-1342/0.6~5mW

LASER POINTER AT 1342nm


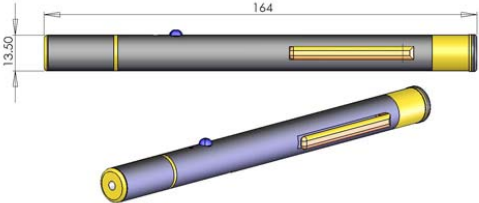

Infrared lasers are not commonly found amongst consumer electronic gadgets and have only recently been made available as IR laser pointers. Its beam is invisible.



SPECIFICATIONS

Wavelength (nm)	1342 ± 1		
Output power (mW)	0.6~1	1~3	3~5
Transverse mode	TEM ₀₀		
Operating mode	CW		
Beam divergence, full angle (mrad)	<1.5		
Beam diameter at the aperture (mm)	~1.5		
Switch	Push button		
Surface color	Black		
Power Consumption	DC 3V		
Power supply	2×AAA 1.5V Alkaline batteries		
Expected lifetime (hours)	5000		
Warranty	6 months		
Remark	LED indicator, key switch and logo engraving are on request.		



GLP-1342	Dimensions	Accessory
 <p>Φ13.5×164(L) mm³, 0.06 kg</p>		 <p>2×AAA/1.5V batteries</p>