

GLP-520/0.6~5mW

LASER POINTER AT 520nm

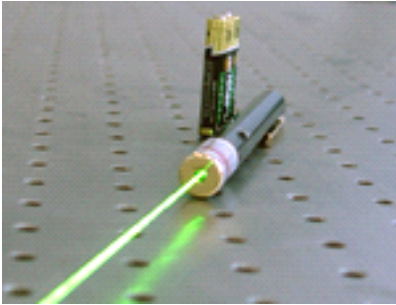
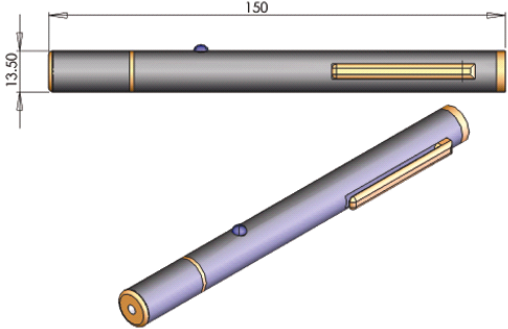

GLP-520 is noticeable and the green beam itself can be seen in mid-air in dark conditions, not just a laser beam dot. In addition, it is FDA approved.



SPECIFICATIONS

| | | | |
|------------------------------------|---|-----|-----|
| Wavelength (nm) | 520±5 | | |
| Output power (mW) | 0.6~1 | 1~3 | 3~5 |
| Transverse mode | TE ₀₀ | | |
| Operating mode | CW | | |
| Beam divergence, full angle (mrad) | <1.0 | | |
| Beam diameter at the aperture (mm) | ~2×4 | | |
| Switch | Push button | | |
| Surface color | Black | | |
| Power Consumption | DC 3V | | |
| Power supply | 2×AAA 1.5V Alkaline batteries | | |
| Expected lifetime (hours) | 5000 | | |
| Warranty | 6 months | | |
| Remark | LED indicator, key switch and logo engraving are on your request. | | |



| GLP-520 | Dimensions | Accessory |
|---|--|--|
|  <p>Φ13.5×150(L) mm³, 0.055 kg</p> |  |  <p>2×AAA/1.5V batteries</p> |