

### PGL-III-A-405/5-300mW

### VIOLET PORTABLE LASER AT 405 nm

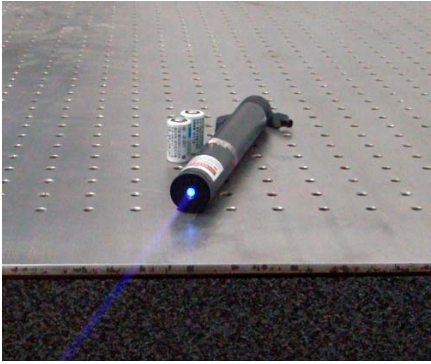
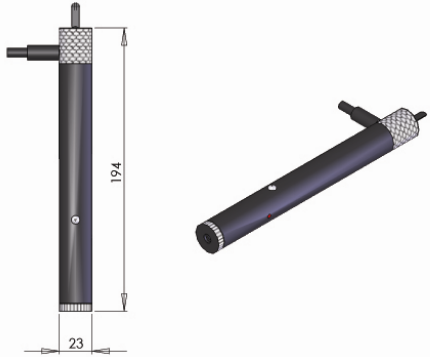

PGL-III-A-405 is the first blue-violet portable laser in the world. It is novel, unique and amazing. In addition, it is FDA approved.



#### SPECIFICATIONS

Wavelength (nm)	405±5
Output power (mW)	>5, 10 , ... , 300
Transverse mode	Near TEM <sub>00</sub>
Beam divergence, full angle (mrad)	<0.5
Beam size at the aperture(mm)	~3.5
Switch	Push button
Surface color	Black
Power Consumption	DC 6V
Power supply	2×“ CR123A 3V” Lithium batteries
Expected lifetime (hours)	5000
Warranty	6 months



PGL-III-A-405	Dimensions	Accessory
 <p>Φ23×194(L) mm<sup>3</sup>, 0.165 kg</p>		 <p>2×CR123A/3V lithium battery</p>