

PGL-VI-532/1~100mW

LASER MODULE AT 532nm


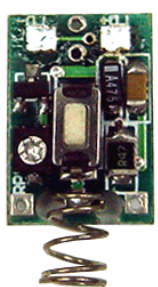
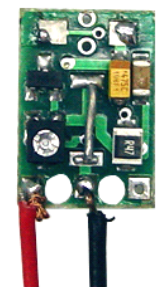
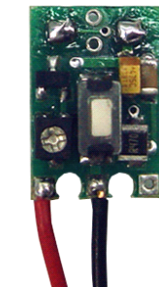

PGL-VI-532 is made features of wide temperature operating (no TEC), high reliability, and low cost, which is widely used in orientation, alignment and measurement, etc.



SPECIFICATIONS

Wavelength (nm)	532 ± 1	
Output power (mW)	>1, 10, 20, ... ,100	
Transverse mode	TEM ₀₀	
Operating mode	CW	
Beam divergence, full angle (mrad)	<1.5	
Beam diameter at the aperture (mm)	~1.5	
Power stability (rms)	<10% , over 4 hours at constant temperature after warm up	
	<20%, over operating temperature range	
Warm-up time (minutes)	<10	
Operating temperature (°C)	15~30	
Power supply	3V PCB	5VPCB
TTL modulation	Optional, 1Hz-1KHz, 1KHz-10KHz, or higher on request	
Expected lifetime (hours)	5000	
Warranty period	6 months	
Remark	If smaller size is needed, S-GDL is available.	



PGL-VI -532	3VPCB			5VPCB
 <p>16.5g</p>	 <p>17(L) × 11(W) mm²</p>	 <p>17(L) × 11(W) mm²</p>	 <p>17(L) × 11(W) mm²</p>	 <p>35(L) × 15(W) mm²</p>