

### DPS-532-A/1~5mJ

### SPECIFICATIONS

## HIGH ENERGY DIODE PUMPED ALL-SOLID-STATE Q-SWITCHED LASER

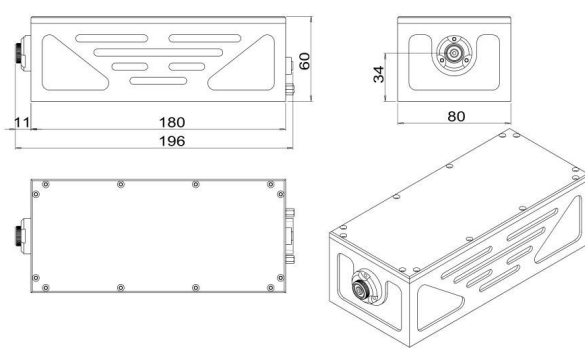
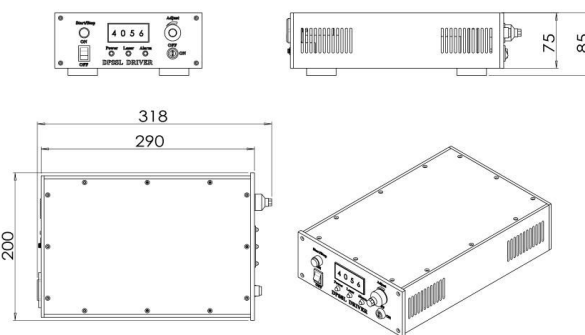
High energy diode pumped all solid state Q-switched laser at 532nm has the features of high single pulse energy , short pulse duration , and high peak power , which is widely used in LIBS,PLIF,LIF ,LCD repair, and so on.



Wavelength (nm)	532±1	
Operating mode	Q-switched: Electro-optic Modulation	Q-switched: Passive Modulation
Single pulse energy (mJ)	5	
Pulse duration (ns)	<10	
Rep. rate (Hz)	1~10,EXT (adjustable)	
Energy stability (rms)	<3%	<5%
Warm-up time (minutes)	<15	
Beam divergence, full angle (mrad)	~3	
Beam diameter (mm)	<3	
Beam height from base plate (mm)	34	
Cooled method	Conduction cooled	
Power supply (220/110VAC)	PSU-DPS	
Expected lifetime (pluses)	10 <sup>9</sup>	
Warranty period	1 year	
Available options	Jitter(Sdev):~1ns ( Electro-optic modulation); Battery power supply	



If you have any further requirement about the specification, please contact CNI sales.

DPS-532-A	PSU-DPS-A
 <p data-bbox="492 1324 806 1356">196(L)×80(W)×60(H)mm<sup>3</sup>, 1.5kg</p>	 <p data-bbox="1456 1324 1769 1356">318(L)×200(W)×85(H) mm<sup>3</sup>, 3.5kg</p>