

### GBY-FN-589/593.5 /1~1600mW

#### GBY laser


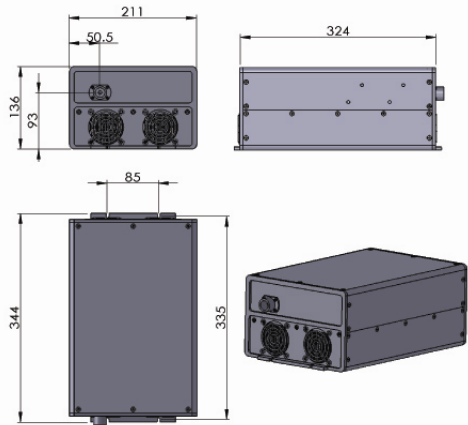
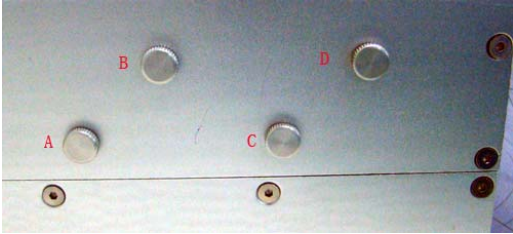
Multi-color GBY laser could provide 7 different kinds of colors by beam combination, which is widely used in the industrial and scientific fields.



#### SPECIFICATIONS

Wavelength (nm)	Green @ 532	Blue @ 473	Yellow @589/593.5
Output power (mW)	>1, 10, ..., 450	>500, ..., 1000	>1, 10, ..., 100
Transverse mode	TEM <sub>00</sub>	Near TEM <sub>00</sub>	TEM <sub>00</sub>
Operating mode	CW/ Modulation		
Beam divergence, full angle (mrad)	<1.5		
Beam diameter at the aperture (mm)	<3.0		
Beam height from base plate (mm)	93		
Operating temperature (°C)	10~35		
Power supply (90-264VAC)	PSU-III -LED/FDA/OEM or PSU-H-LED/FDA/OEM are available up on your request and the power level.		
Modulation option	TTL on/off, 1Hz-1KHz, 1KHz-10KHz, 10KHz-30KHz; and Analog modulation option		
Expected lifetime (hours)	10000		
Warranty period	1 year		
Remark	The Yellow beam is the benchmark beam, the other two beams can be adjusted slightly with the mechanics inside to achieve the best combination, please follow the adjusting instruction manual enclosed.		



<p style="text-align: center;"><b>GBY-589/593.5</b></p>  <p style="text-align: center;">344(L)×211(W) ×136(H) mm<sup>3</sup>, 14.5 kg</p>	<p style="text-align: center;"><b>Dimension</b></p> 	<p style="text-align: center;"><b>Adjustable mechanism</b></p>  <p>The AB points are for Green laser beam adjustment, CD are for Blue laser beam adjustment. AC are for horizontal direction, and BD for Vertical direction.</p>
---	---	--