

### GLP-1064/0.6~5mW

#### LASER POINTER AT 1064nm


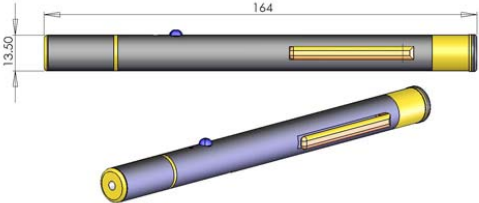

Infrared lasers are not commonly found amongst consumer electronic gadgets and have only recently been made available as IR laser pointers. Its beam is invisible.



#### SPECIFICATIONS

|                                    |  |     |     |
|------------------------------------|--|-----|-----|
| Wavelength (nm)                    | 1064±1   |     |     |
| Output power (mW)                  | 0.6~1  | 1~3 | 3~5 |
| Transverse mode                    | TEM <sub>00</sub>  |     |     |
| Operating mode                     | CW   |     |     |
| Beam divergence, full angle (mrad) | <1.5   |     |     |
| Beam diameter at the aperture (mm) | ~1.5   |     |     |
| Switch                             | Push button  |     |     |
| Surface color                      | Black  |     |     |
| Power Consumption                  | DC 3V  |     |     |
| Power supply                       | 2×AAA 1.5V Alkaline batteries                                |     |     |
| Expected lifetime (hours)          | 5000   |     |     |
| Warranty                           | 6 months   |     |     |
| Remark                             | LED indicator, key switch and logo engraving are on request. |     |     |



| GLP-1064  | Dimensions   | Accessory   |
|---|--|---|
|  <p>Φ13.5×164(L) mm<sup>3</sup>, 0.06 kg</p> |  |  <p>2×AAA/1.5V batteries</p> |