

GLP-405/0.6-5mW

VIOLET LASER POINTER AT 405 nm

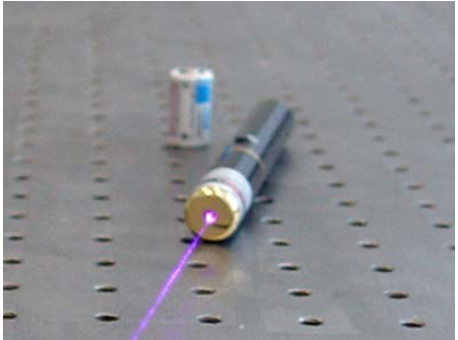


GLP-405 is the first blue-violet laser pointer in the world. It is novel, unique and amazing.



SPECIFICATIONS

Wavelength (nm)	405±5		
Output power (mW)	0.6~1	1~3	3~5
Transverse mode	Near Round		
Beam divergence, full angle (mrad)	<0.5		
Beam diameter at the aperture (mm)	~3.5		
Switch	Push button		
Surface color	Black		
Range in darkness (m)	1000~2000		
Power Consumption	DC 6V		
Power supply	2×CR2 3V lithium batteries		
Expected lifetime (hours)	5000		
Warranty	6 months		



GLP-405	Dimensions	Accessory
 <p>Φ16.5×150(L) mm³, 0.1kg</p>		 <p>2×CR2/3V lithium battery</p>