

GLP-447/0.6-5mW

VIOLET BLUE LASER POINTER AT 447 nm

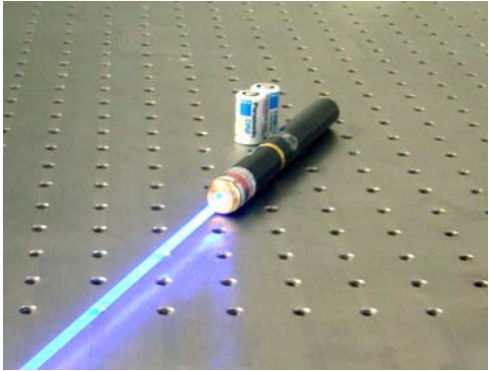


GLP-447 is the first blue-violet laser pointer in the world. It is novel, unique and amazing.



SPECIFICATIONS

Wavelength (nm)	447±5		
Output power (mW)	0.6~1	1~3	3~5
Transverse mode	Near TEM00		
Beam divergence, full angle (mrad)	<1.5		
Beam diameter at the aperture (mm)	~5		
Switch	Push button		
Surface color	Black		
Range in darkness (m)	10000		
Power Consumption	DC 6V		
Power supply	2×CR2 3V lithium batteries		
Expected lifetime (hours)	5000		
Warranty	6 months		



GLP-447	Dimensions	Accessory
 <p>Φ16.5×150(L) mm³, 0.1kg</p>		 <p>2×CR2/3V lithium battery</p>