

### GLP-450/0.6-5mW

### VIOLET BLUE LASER POINTER AT 450 nm

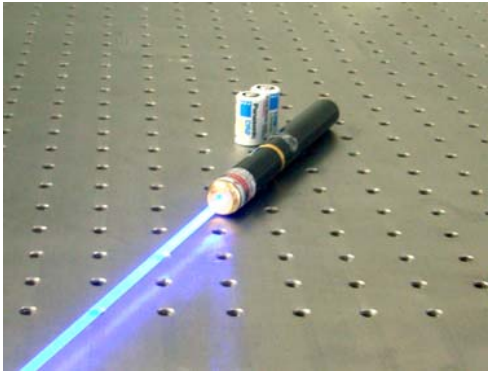


GLP-450 is the first blue-violet laser pointer in the world. It is novel, unique and amazing.



#### SPECIFICATIONS

|                                    |                            |     |     |
|------------------------------------|----------------------------|-----|-----|
| Wavelength (nm)                    | 450±5                      |     |     |
| Output power (mW)                  | 0.6~1                      | 1~3 | 3~5 |
| Transverse mode                    | Near TEM00                 |     |     |
| Beam divergence, full angle (mrad) | <1                         |     |     |
| Beam diameter at the aperture (mm) | ~3.5                       |     |     |
| Switch                             | Push button                |     |     |
| Surface color                      | Black                      |     |     |
| Range in darkness (m)              | 10000                      |     |     |
| Power Consumption                  | DC 6V                      |     |     |
| Power supply                       | 2×CR2 3V lithium batteries |     |     |
| Expected lifetime (hours)          | 5000                       |     |     |
| Warranty                           | 6 months                   |     |     |



| GLP-450  | Dimensions  | Accessory   |
|--|---|---|
|  <p>Φ16.5×150(L) mm<sup>3</sup>, 0.1kg</p> |  |  <p>2×CR2/3V lithium battery</p> |