

GLP-532R/0.6~5mW

GREEN & RED LASER POINTER AT 532& 650 nm

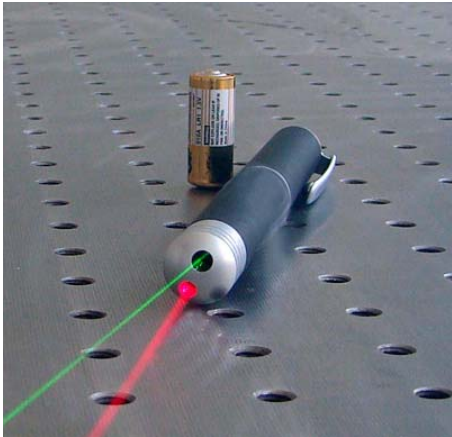


GLP-532R is noticeable and the green beam itself can be seen in mid-air in dark conditions, not just a laser beam dot. In addition, it is FDA approved.



SPECIFICATIONS

Wavelength (nm)	532±1	650±10
Sum output power (mW)	0.6~5	
Transverse mode	Near TEM ₀₀	
Operating mode	CW	
Beam divergence, full angle (mrad)	<1.5	
Beam diameter at the aperture (mm)	~1.5	
Switch	Push button	
Surface color	Black	
Power Consumption	DC 3V	
Power supply	2× N 1.5V Alkaline batteries	
Expected lifetime (hours)	5000	
Warranty	6 months	
Remark	LED indicator, key switch and logo engraving are on your request.	



GLP-532R	Dimensions	Accessory
 <p data-bbox="398 1410 607 1433">Φ14×140(L) mm³, 0.055 kg</p>		 <p data-bbox="1711 1350 1854 1369">2×N/1.5V batteries</p>