

GLP-640/0.6-5mW

SPECIFICATIONS

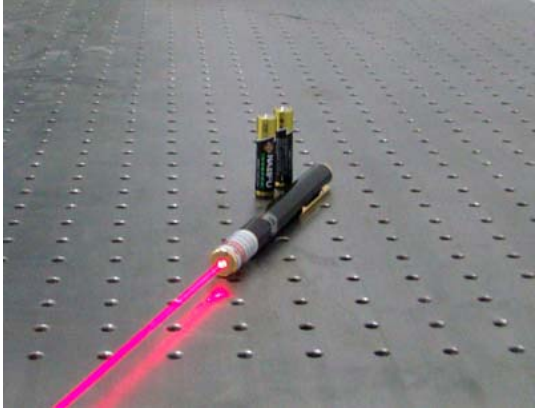
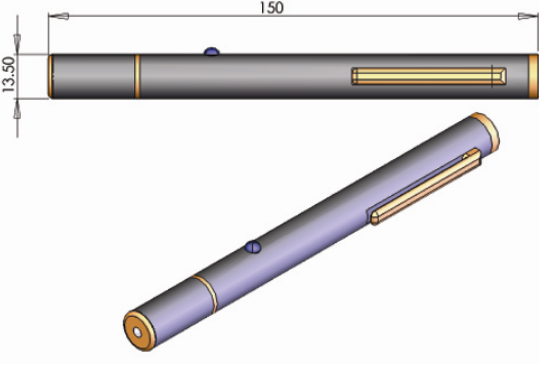

LASER POINTER AT 640nm

GLP-640 is noticeable and the red beam itself can be seen in mid-air in dark conditions, not just a laser beam dot. In addition, it is FDA approved.



Wavelength (nm)	640 ± 5		
Output power (mW)	0.6~1	1~3	3~5
Transverse mode	Near TEM ₀₀		
Operating mode	CW		
Beam divergence, full angle (mrad)	<1.0		
Beam diameter at the aperture (mm)	~3.0		
Switch	Push button		
Surface color	Black		
Power Consumption	DC 3V		
Power supply	2×AAA 1.5V Alkaline batteries		
Expected lifetime (hours)	5000		
Warranty	6 months		
Remark	LED indicator, key switch and logo engraving are on your request.		



GLP-640	Dimensions	Accessory
 <p style="text-align: center;">Φ13.5×150(L) mm³, 0.055 kg</p>		 <p style="text-align: center;">2×AAA/1.5V batteries</p>