

LDM-915-10-R



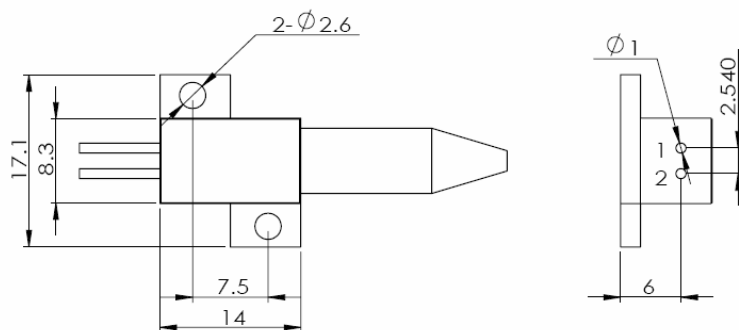
Characteristics
Output Power 10W
Fiber Coupling 105μm
Fiber Core Dia. 0.22NA
Anti-flections protection (optional)
Wavelength 915nm
Application
Fiber laser pumping source

Parameter		Symbol	Typical	Unit
Optical	CW Out Power	P_{op}	10	W
	Center Wavelength	λ	915, ± 10	nm
	Spectral Width (90% of Power)	$\Delta\lambda$	<6.0	nm
	Wavelength Shift width Temperature	$\Delta\lambda/\Delta T$	0.35	nm / $^{\circ}C$
	Feedback protection (1030-1100nm)	FP	>40	dB
Electrical	Threshold Current	I_{th}	0.65	A
	Operating current	I_{op}	11.5	A
	Operating Voltage	V_{op}	1.8	V
	Slop Efficiency	η_{es}	0.92	W / A
	Power Conversion Efficiency	η_{ep}	48	%
Fiber	Fiber Core Diameter	d_{core}	105	μ m
	Fiber Cladding Diameter	d_{clad}	125	μ m
	Fiber Buffer Diameter	d_{buffer}	250	μ m
	Numerical Aperture	NA	0.22	-
	Fiber Length	L	1.0	m

Other Parameters

Parameter	Operating Temperature/°C	Operating Relative Humidity/%	Storage Temperature/°C	Storage Relative Humidity/%	Lead Soldering Temperature, 10s max/°C
Min	10	-	-20	-	-
Max	40	75	80	90	250

Package Dimensions (mm)



Pins and Functions	
Pin	Function
1	Laser(+)
2	Laser (-)

915nm Diode Laser Characteristics (25°C)

