

MSL-FN-556/1~200mW

SINGLE LONGITUDINAL MODE YELLOW LASER at 556 nm

All solid state single longitudinal mode yellow laser at 556 nm is made features of ultra compact, long lifetime and easy operating, which is used in DNA sequencing, flow cytometry, cell sorting, optical instrument, spectrum analysis, interference, measurement, holography, physics experiment, etc.


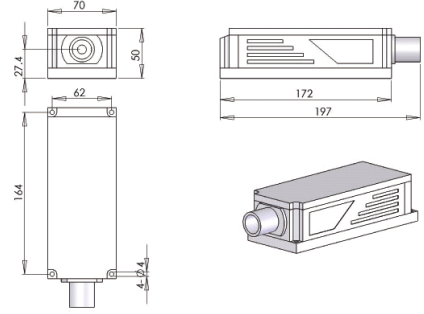



SPECIFICATIONS

Wavelength (nm)	556±1
Output power (mW)	>1, 5, 10, ..., 200
Transverse mode	TEM ₀₀
Longitudinal mode	Single
Operating mode	CW
Power stability (rms, over 4 hours)	<1%, <3%, <5%
Warm-up time (minutes)	<10
M ² factor	<1.2
Beam divergence, full angle (mrad)	<1.5
Beam diameter at the aperture (mm)	~2.0
Beam height from base plate (mm)	27.4
Spectral linewidth (nm)	<0.00001
Polarization ratio	>100:1, Vertical ± 5 degree (Horizontal Optional)
Pointing stability after warm-up (mrad)	<0.05
Noise of amplitude (rms, 20Hz~20MHz)	<0.5%
Coherent length (m)	>50
Operating temperature (°C)	15~35
Power supply (90-264VAC or 5V DC)	PSU-H-FDA
Modulation	Modulation isn't available.
Expected lifetime (hours)	10000
Warranty period	1 year



Note: The laser head needs to be used on a heat sink with good heat dissipation.

MxL-FN-556	Dimension	POWER SUPPLY	Dimension
 <p>197(L)×70(W)×50(H), 2.0 kg</p>		 <p>238 (L) ×146(W) ×102 (H) mm³, 2.3 kg</p>	