

OEM-W-457/3000~10000mW

### LD PUMPED ALL-SOLID-STATE BLUE LASER

All solid state 457 nm blue laser is made features of ultra compact, long lifetime, low cost and easy operating, which is widely used in collimation, laser medical treatment, scientific experiment, optical instrument, laser display, laser lighting show, etc.


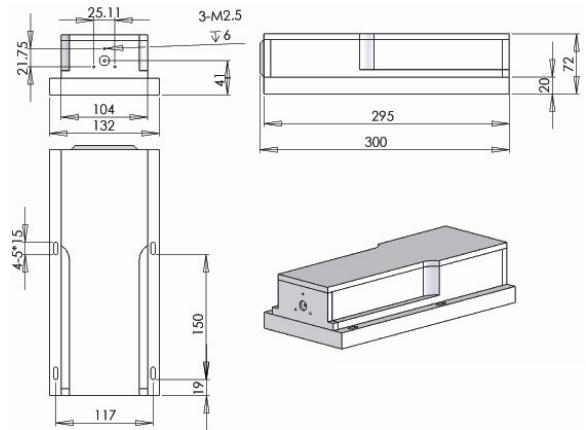
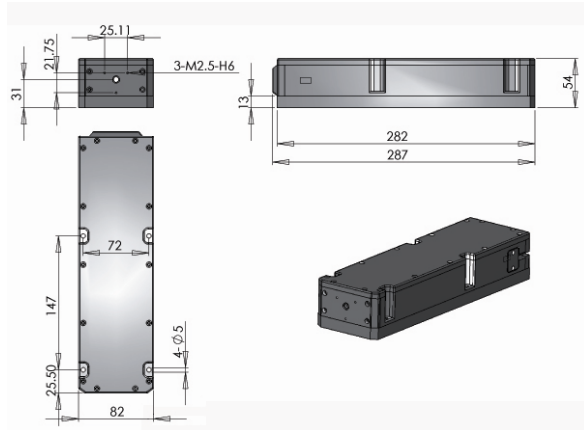
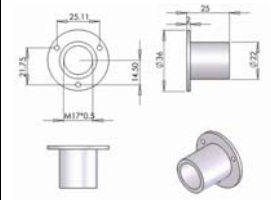


#### SPECIFICATIONS

Wavelength (nm)	457±1
Output power (mW)	>3000, 4000, ..., 10000
Transverse mode	Near TEM <sub>00</sub>
Operating mode	CW
Power stability (rms, over 4 hours)	<3%, <5%, <10%
Warm-up time (minutes)	<10
M <sup>2</sup> factor	3.0-6.0
Beam divergence, full angle (mrad)	<27
Beam diameter at the aperture (mm)	~2.0
Beam height from base plate (mm)	41 with TEC, 31 without TEC
Polarization ratio	>100:1
Pointing stability after warm-up (mrad)	<0.05
Operating temperature (°C)	22.5+/-2.5
Pins information	A3. positive of diode; A1. negative of diode
Modulation option	TTL on/off, 1Hz-1KHz, 1KHz-10KHz, 10KHz-30KHz; and Analog modulation option
Expected lifetime (hours)	10000
Warranty time	The warranty is 3 months, excluding the LD failure.



Note: The power supply needs to be with the over current protection function.

OEM-W-457	Dimension (With TEC)	Dimension (Without TEC)	Accessories
 <p>2.835 kg</p>	 <p>300(L)×132(W)×72(H) mm<sup>3</sup>,</p>	 <p>312(L)×82(W)×54(H) mm<sup>3</sup>,</p>	 <p>Collimation system</p>