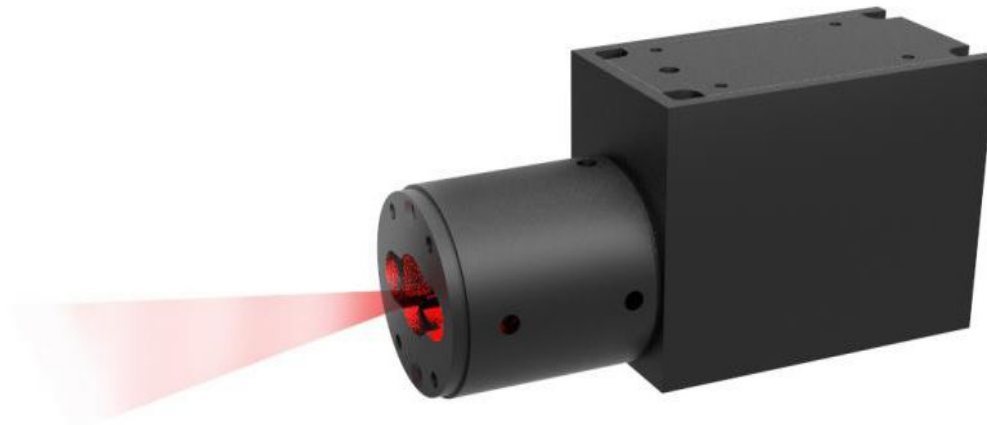


PGL-FS1 Series Diode Lasers



PGL-FS1 Series Diode Lasers

The laser is powered by an OEM Version 5-12VDC PCB and made features of uniform power density, high straightness and good stability line beam.

The user can choose from IR, red, green, or blue wavelengths depending on the application and material to be inspected.

PGL-FS1 Series Diode Lasers with its industrial-suited design and stable performance works perfectly in collimation, laser medical treatment, scientific experiment, optical instrument, etc.

FEATURES

- DC 5-12V power supply
- Optical output power up to 150mW
- Wavelengths from 405 – 1550nm
- Long lifetime
- Easy operating

APPLICATIONS

- Collimation
- Laser medical treatment
- Scientific experiment
- Optical instrument

SYSTEM SPECIFICATIONS*

Wavelength	nm	405	450	520	635-660	808	830-1550
Wavelength tolerance	nm (typical)	±5	±5	±5	±5	±10	±10
Output power	mW	1-150	1-50	1-50	1-130	1-100	1-10
Line width	< 250mm	40-200um					
Line width	@1m	< 1.0 mm					
Line angles		7° 、 10° 、 15° 、 30° 、 45° 、 50° 、 60° 、 75° 、 90°					
Laser operation mode		CW					
Expected lifetime	hours	10,000					

ELECTRICAL SPECIFICATIONS

Operating voltage	DC 5-12V
Connection	Cable with flying leads

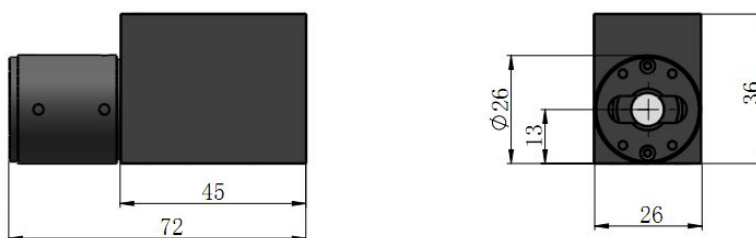
ENVIRONMENTAL CONDITIONS

Operating temperature	°C	10°C to 35°C
Storage temperature	°C	-20°C to +80°C
Humidity	%	< 90 %, non-condensing
Dissipated heat	W	< 1 W

MECHANICAL SPECIFICATIONS

Weight	g	150g
Length	mm	102mm
Diameter head Ø	mm	26 mm
Material		Aluminum

Dimensions of laser and PCB (mm):



KEYNOTES

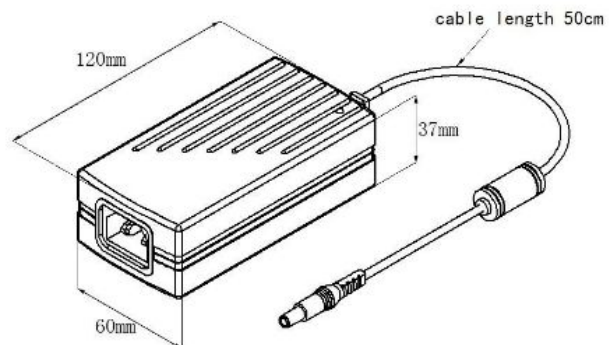
*All testing data under the conditions of temperature 25°C.

CONNECTOR

USB connector	Suit for access to computer control
Bayonet nut connector	Minimize distractions
Headset connector	Easy connect and disconnect

POWER SUPPLY

Input	85-264V AC 47/63Hz
Output	DC 5V 5A
Adapter size	mm 120 x 60 x 37mm
Adapter cable length	m 0.5m
Cable connector	Easy connect/disconnect jack
Dimensions of power supply (mm):	



The Universal Diode Laser Module Power Supply with CE-marked provide a well-regulated 5 VDC. This autoranging power module can be connected to any 85-264 VAC 47/63 Hz supply. There is an IEC 60320 input socket and a 0.5m output cable terminated with an easy connect/disconnect jack socket. The Headset connector which could also be found in accessories is compatible with the power supply jack.