

PGL-III-C-450/5~50mW

PORTABLE LASER AT 450nm


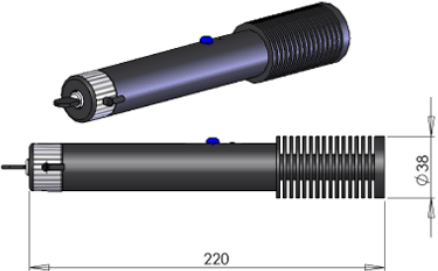

PGL-III-C-450 is made features of small size, high output power, long lifetime in portable laser, and special safety design to ensure security.



SPECIFICATIONS

Wavelength (nm)	450 ± 5
Output power (mW)	>5, 10, 20, 30, ... , 50
Transverse mode	Near TEM ₀₀
Operating mode	CW
Beam divergence, full angle (mrad)	<1.
Beam diameter at the aperture (mm)	~3.5
Switch	Push button
Surface color	Black
Power Consumption	DC 6V
Power supply	2×" CR123A 3V" Lithium batteries
Expected lifetime (hours)	5000
Warranty	6 months
Remark	LED indicator, remote connector and key switch are available.



PGL-III-C-450	Dimensions	Accessory
 <p>Φ38×220(L) mm³, 0.3 kg</p>		 <p>2×CR123A/3V lithium battery</p>