

Temperature controlled heatsink/TC-01

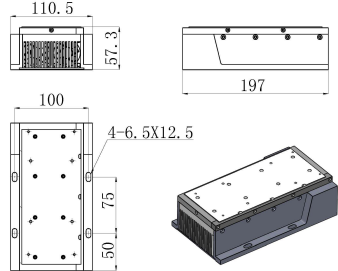

TEMPERATURE CONTROLLED HEATSINK FOR MxL-III/FN LASER

Some of laser heads needs specific heatsink to ensure that it is operating at its best specifications (power stability, noise stability, wavelength/frequency stability, and etc.). The TC-01 heatsink is designed for CNI laser model MxL-III/FN and can be used to other equipments which have large dependence on temperature.

SPECIFICATIONS

Model	TC-01
Material	Al
Operating temperature	15°C-35°C
Accuracy	±0.5°C; ±1°C
Temperature-controlled area dimension	180mm×80mm
Power consumption	20~100Wdepends on room temperature and heat of object
Power supply (100-240VAC)	PSU-H-LED
Warranty	1 year



TC-01 Heatsink	PSU-H-LED
 <p>110.5 57.3 100 4-6.5X12.5 75 50</p> <p>197</p>	 <p>145 9.6 14 260 22</p>
197(L)×102.5(W) ×54.8(H), 1.6 kg	277 (L) ×145(W) ×106 (H) mm ³ , 2.6 kg